

### Benefits

Proven Pinnacle<sup>®</sup> performance and reliability

Maximum process efficiency—lowest operating and installed cost

Versatile—excellent in both process and bias applications

Fast, configurable arc response—low arc damage

Precise process control

Numerous display/control options

Safety/emissions compliant

### Features

Highest efficiency and power factor in the industry

Compact—3000 W in a 2-U, ½-rack package

Wide, single tap

Profibus and RS-232 serial communications

Target-conditioning cycle (TCC)—minimizes conditioning time for new targets

400 VAC input only

Low stored energy—less than 6 mJ per 1 kW of output

Output repeatability of  $\pm 0.1\%$  at  $> 15\%$  power

Joule mode—optimized energy delivery

Programmable limits for output level, strike voltage, and process voltage

Non-volatile memory storage of settings

CE marked

*In both process and bias applications, the Advanced Energy (AE) Pinnacle<sup>®</sup> 3000 DC power supply provides the highest efficiency and power factor available, resulting in the lowest operating and installed cost in the industry. Remarkable Pinnacle process consistency and control deliver the additional benefits of significantly reduced variation and higher yields—all from one exceptionally compact unit.*

### Maximum Process Efficiency—Lowest Cost

With superior efficiency ( $> 90\%$ ) and the highest power factor (0.9 at  $> 80\%$  power) in the industry, the Pinnacle<sup>®</sup> 3000 power supply offers the lowest operating and installed cost.

### Wide, Full-Power Output Voltage Range

The Pinnacle 3000 supply offers a wide 370 to 1000 VDC with no tap changes.

### Minimized Conditioning Time for New Targets

Target-conditioning cycle (TCC) mode limits output power based on arc rate and average power delivered.

### Low-Ripple Technology

Streamlined engineering delivers superior reliability, high output-voltage consistency, and a highly accurate, fast ramp response.

### Versatile

Perfect for both process and bias applications, the Pinnacle 3000 supply can operate as low as 50 W, 50 V, and 0.25 A, without sacrificing repeatability.

### Fast, Configurable Arc Response—Low Arc Damage

Pinnacle 3000 units store  $< 6$  mJ per 1 kW of output. With a hard-arc detection time of  $3 \mu\text{s}$ , they are approximately ten times faster than competing units. Hard-arc shutdown from full power results in power interruption of only  $10 \mu\text{s}$ .

Sophisticated arc-handling capabilities enable you to program voltage trip level, delay to shutdown, and shutdown time to match your process. Pinnacle 3000 units automatically implement pre-set process values when you select your target type (metal or non-metal).

### Precise Process Control

A variety of innovative features maximize process control:

*Joule mode enables* you to set delivered energy for each process run and adjusts for ramp time and lost energy during arc events—providing  $> 1\%$  accuracy.

### User-selectable and programmable

parameters put process control at your fingertips:

- Selectable operation as a power, current, or voltage source
- Programmable ramp/run recipes
- Programmable process limits for output level as well as strike and process voltage

**16-bit control circuitry** enables the fastest, most accurate ramp-to-set point response available (< 1.5 ms) with output repeatability of ±0.1% at > 15% power.

**Non-volatile memory** stores and preserves recent settings in case of a shutdown.

## Display/Control Options

Profibus and AE Bus (RS-232 serial) control options enable you to adjust joule-mode, output-limit, ramp/run-recipe, and arc-response settings. You can also turn the unit on and off via the User Port. Optional AE Virtual Front Panel (VFP), allows full control of the unit with VFP software and a personal computer.

## Safety/Emissions Compliant

Pinnacle 3000 units are CE marked and conform to Low Voltage Directive 73/23/EEC and Electromagnetic Compatibility Directive 89/366/EEC—meeting EN55011 (emissions), EN61000-6-2 (immunity), and EN50178 (safety).

## Specifications

Physical	
Size	87 mm (H) x 216 mm (W) x 517 mm (D); 3.4" (H) x 8.5" (W) x 20.4" (D)
Weight	9.1 kg (20 lb)

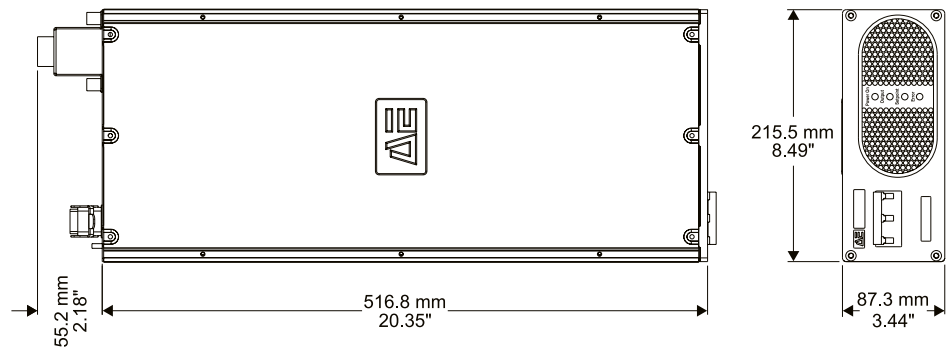
Connector/Cable	
Output Power	UHF connector
AC Input Power	6-pin Harting connector
Communications	
Profibus*	9-pin, shielded, female, subminiature-D connector
Virtual Control Panel/Flash Port/AE Bus (RS-232)*	9-pin, shielded, female, subminiature-D connector
User Port*	15-pin, shielded, female, subminiature-D custom connector (on/off only)

\*See manual for cable configurations, cable requirements, and signal descriptions.

Electrical	
Input Power Specifications	
Line Voltage	400 VAC ±10%; 3 φ, 4 wire, 50 to 60 Hz, no neutral
Line Current	5 A per φ, nominal line
Line Regulation	±1% for a 10% line voltage change or a ±2% frequency change
Overcurrent Protection	10 ADC bus fuse
Output Specifications	
Output Power	3 kW
Output Voltage	370 to 1000 VDC full-power output
Output Ripple Voltage	Component of output ripple voltage related to input line frequency: ±5% RMS
Efficiency	> 90% at full power
Power Factor	0.87 for loads > 0.3 kW; 0.9 for loads > 2.4 kW
Repeatability	From run to run at a constant set point: <ul style="list-style-type: none"> <li>◦ 0.1% from 15- to 100%-rated power</li> <li>◦ 0.2% at &lt; 15%-rated power</li> </ul>
Load Regulation	±1% for 4:1 load change within V-I limits of tap range
Output Actual to Readback Accuracy	Serial interface ±1%

Environmental	
Temperature Coefficient	< 0.005% per 1°C variation in the regulated output parameter over +20 to +40°C (+68 to +104°F) ambient temperature range from 20 to 100% of full scale

## Dimensional Drawing



Advanced Energy Industries, Inc. • 1625 Sharp Point Drive • Fort Collins, Colorado 80525  
 T: 800.446.9167 or 970.221.4670 • F: 970.221.5583 • support@aei.com • www.advanced-energy.com

© Advanced Energy Industries, Inc. 2006  
 All rights reserved. Printed in U.S.A.  
 SL-PNCL 3K-250-03 0M 3/06

United Kingdom  
 T: 44.1869.320022  
 F: 44.1869.325004

Germany  
 T: 49.711.779270  
 F: 49.711.7778700

Korea  
 T: 82.31.777.9191  
 F: 82.31.777.9195

Japan  
 T: 81.3.32351511  
 F: 81.3.32353580

Taiwan  
 T: 886.2.82215599  
 F: 886.2.82215050

China  
 T: 86.21.58579011  
 F: 86.21.58579003